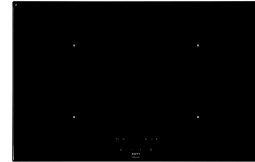


Induction - Power
4-zones 78 cm
Glass

EAN 5414425116331



Cooking Zones

- 4-zones
- Front left : 2050/3700 W - 210 mm
- Rear left : 2050/3700 W - 210 mm
- Front right : 2050/3700 W - 210 mm
- Rear right : 2050/3700 W - 210 mm

Functions & features

- | | |
|-----------------------------|---|
| ▪ InTouch function | Standard |
| ▪ Bridge function | 1 |
| ▪ Grill function | - |
| ▪ Automatic pan recognition | - |
| ▪ Keep warm function (°C) | 42°C, 70°C |
| ▪ Residual heat indication | ▪ |
| ▪ Childproof lock | ▪ |
| ▪ Pause function | ▪ |
| ▪ Timers | Minute minder, Timer per Zone,
Automatic cooking |

Design

- | | |
|----------------------|-------------------------|
| ▪ Control method | Slider touch control |
| ▪ Info display color | Red |
| ▪ Glass edge | Facet |
| ▪ Mounting method | Surface, Semi-Flushline |

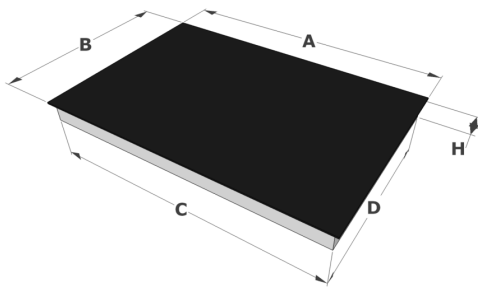
Dimensions

- | | |
|-----------------------------------|----------------|
| ▪ Product dimensions (WxDxH) (mm) | 780 x 520 x 49 |
| ▪ Cut-out worktop (WxD) (mm) | 750 x 490 |

Technical specifications

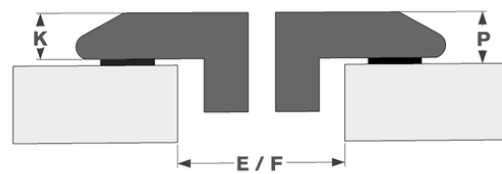
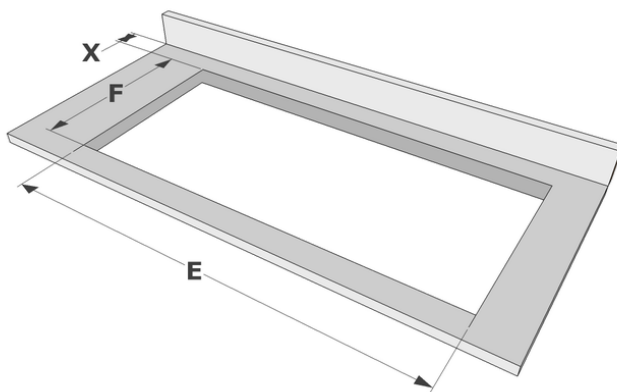
- | | |
|-------------------------|--|
| ▪ Maximum power | 7400 |
| ▪ Electrical connection | 220-240V 1L+N
220-240V 2L
220-240V 3L (BE)
380-400V 2L+N/2N |
| ▪ Frequency (Hz) | 50-60 |
| ▪ Net weight (kg) | 10,64 |

Dimensions



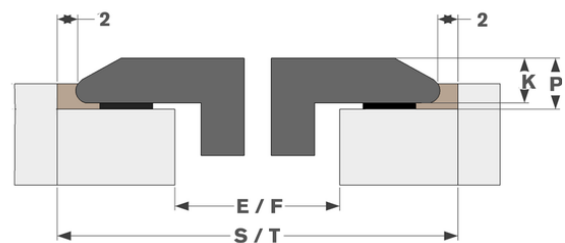
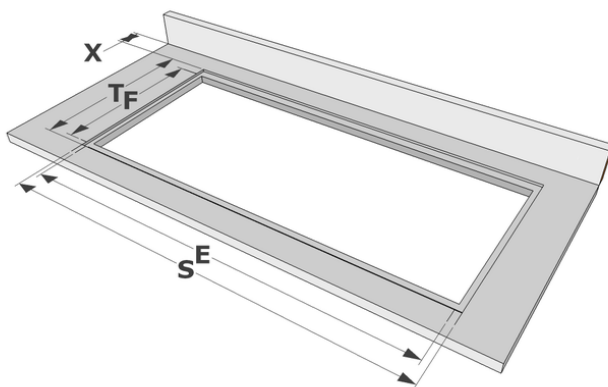
	A	B	C	D	H
mm	780	520	742	485	49

Surface



	E	F	K	P	X
mm	750	490	4	6	50

Semi-Flushline



	E	F	S	T	K	P	X
mm	750	490	784	524	4	6	50